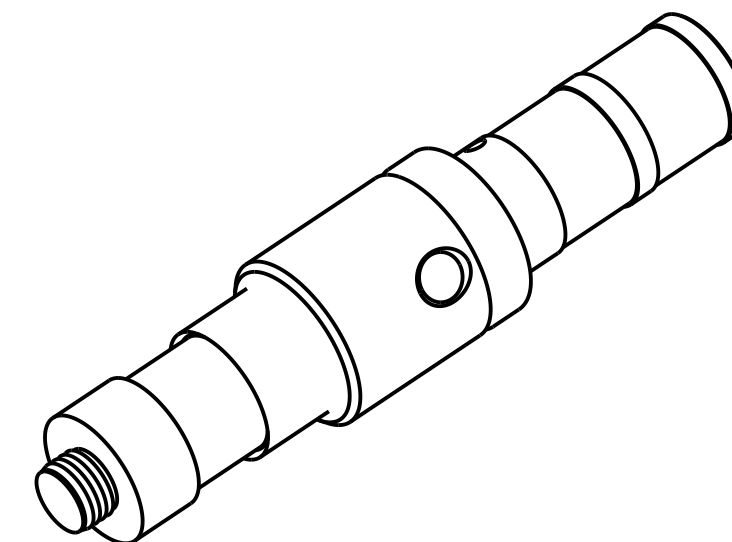


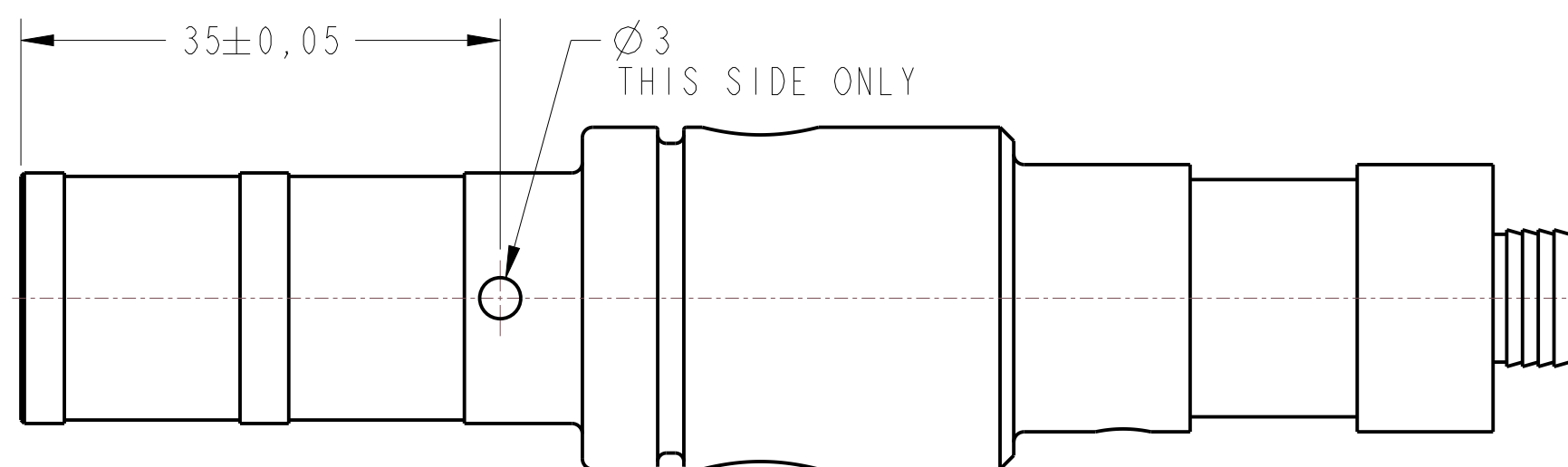
REV. A		SHEET 1 OF 1		DOCUMENT NO. AP-XXX-C-PLS	
REVISIONS					
LTR	DESCRIPTION			DATE	
A	INITIAL RELEASE			03/18/2024	

TABLE 1: AMPHE-PHASE CONTACT CRIMP DATA PER CABLE SIZES

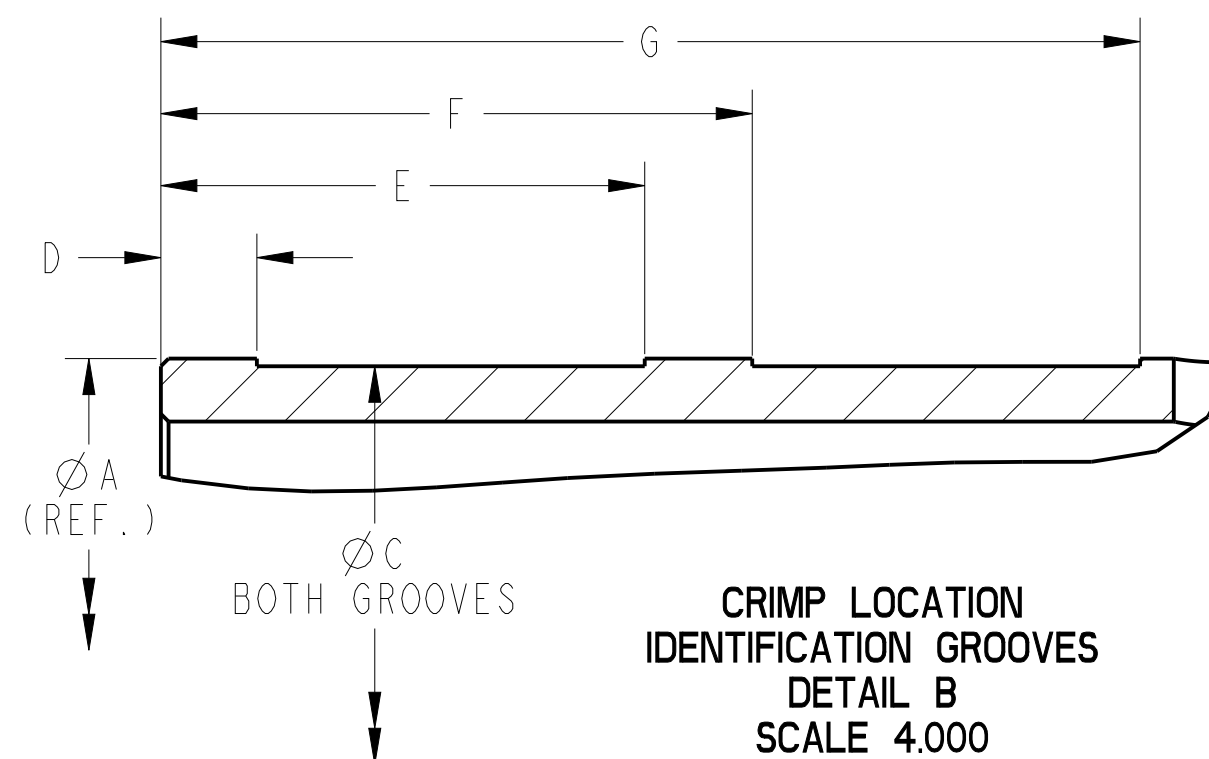
AMPHENOL PART NUMBER	SIZE (awg) AWG kcmil	SIZE (awg) mm ²	BARREL DIMENSIONS [mm]		CRIMP IDENTIFICATION GROOVES [mm]				
			Ø A (CONTACT OD)	Ø B ±0.1 (CRIMP ID)	Ø C ±0.1 (CRIMP OD)	D	E	F	G
AP-4-C-PLS	4	25	9.80	6.60	9.30	3.80	12.20	15.20	23.60
AP-2-C-PLS	2	35	10.90	7.50	10.40	3.20	13.20	15.30	25.40
AP-1-C-PLS	1/0	55	13.70	9.90	13.20	3.20	14.60	17.20	28.70
AP-2-0-C-PLS	2/0	70	15.00	11.20	14.50	3.20	14.90	17.80	29.40
AP-4-0-C-PLS	4/0	120	18.30	14.20	17.80	3.20	16.00	19.50	32.30



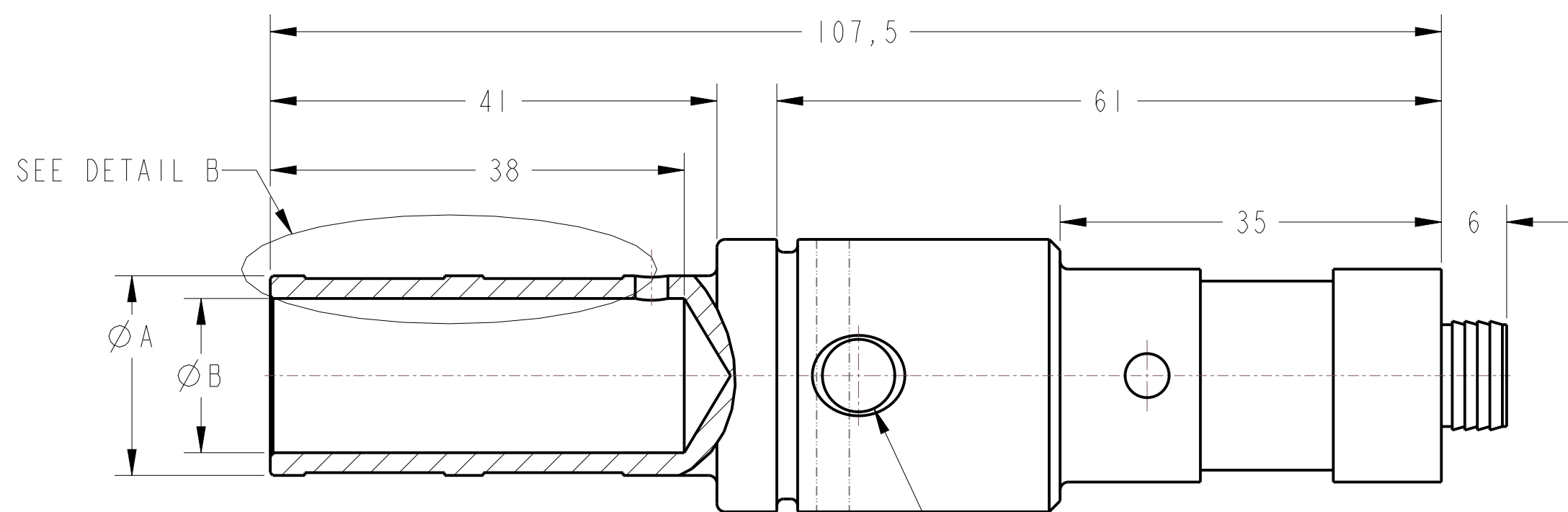
GENERAL ISOMETRIC VIEW
SCALE 1.000



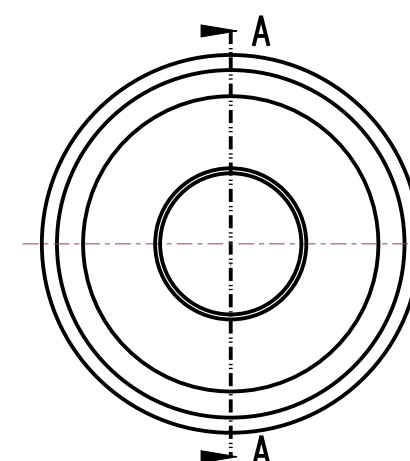
TOP VIEW



CRIMP LOCATION
IDENTIFICATION GROOVES
DETAIL B
SCALE 4.000



SECTION A-A
SCALE 2.000



NOTES:

THE USE OF THIS DOCUMENT IS UNLIMITED.
HOWEVER, DOCUMENTS REFERENCED HEREON
MAY CONTAIN LIMITED RIGHTS DATA.

N/A	PRO/ENGINEER INFORMATION
N/A	Pro/e Model Used:
	AP-XXX-BM-SLD.GEN.PART
	Drawing Name:
	AP-XXX-C-PLS

UNLESS OTHERWISE SPECIFIED

LINEAR DIMENSIONS ARE IN INCHES
TOLERANCES:
.XXXX = ±.0005 ANGLES ±2°
.XXX = ±.010
.XX = ±.03
.X = ±.1

DIM. & TOL. PER ASME Y14.5M;
DRM PER MIL-STD-31000;
OTHER AMPHENOL SIDS. PER 9-3800

LEGENDS:
-FLAG NOTE CALL OUT
-REFERENCE ONLY

SPECIFICATIONS		POS	QTY	PART NUMBER	DESCRIPTION	NOTE
MATERIAL SPEC.		APPROVALS		PARTS LIST		
---		PREPARED BY	PREPARED	AMPHENOL CORPORATION		
---		ENGINEER IN CHARGE	ENGINEER	40-60 DELAWARE AVENUE SIDNEY, N.Y. 13838		
---		DESIGN MANAGER	MANAGER	TABLE DRAWING		
---		DESIGN ACTIVITY GROUP	GROUP	COPPER, LINE SOURCE CONTACT AMPHE-PHASE		
PROCESS SPEC.		THIRD ANGLE PROJECTION		SIZE	CAGE CODE	DOCUMENT NO.
---				C	77820	AP-XXX-C-PLS
---				SCALE: 1.0	REF:	SHEET 1 OF 1