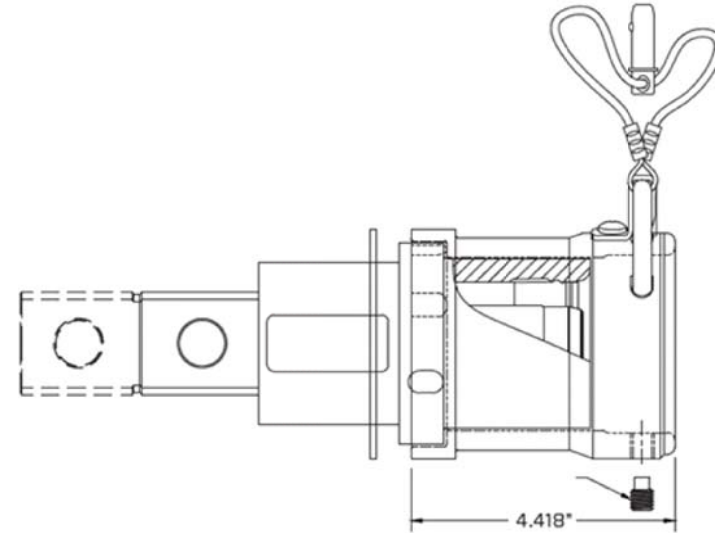


R24-PM()-()-()		SHEET 1 OF 1	
REVISIONS			
LTR	DESCRIPTION	DATE	
A	INITIAL RELEASE	08-30-19	

CODE LOGIC:

SERIES	1	2	3	4	5	6
R24	PM	R	K	2	M	BK

1	PM- PANEL MOUNT
2	P- PLUG, R- RECEPTACLE
3	K- ENHANCE STRAIN RELIEF OMIT FOR NO ESR
4	1- SINGLE BOLT HOLE, 2- TWO BOLT HOLE 4/0, 3-313 mcm, 373-373mcm, 4-444mcm 5- 535mcm, 6-646mcm, 7- 777mcm
5	M- MALE PIN, F- FEMALE SOCKET
6	R, BK, W, G, Y, OR, BL,BR, GY, P, (OMIT FOR NO COLOR)



1. PURCHASED PARTS, SUGGESTED SOURCE:

AMPHENOL EEC, INC
4050 N ROCKWELL STREET
CHICAGO, IL 60618

NOTES:

THIS DOCUMENT CONTAINS PROPRIETARY INFORMATION AND SUCH INFORMATION MAY NOT BE DISCLOSED TO OTHERS FOR ANY PURPOSE OR USED FOR MANUFACTURING PURPOSES WITHOUT WRITTEN PERMISSION FROM THE AMPHENOL CORP.

N/A	PRO/ENGINEER INFORMATION
N/A	Pro/e Model Used
	AUTOCAD DRAWING
	Drawing Name:
	R24-PM()-()-()

UNLESS OTHERWISE SPECIFIED		SPECIFICATIONS		POS	QTY	PART NUMBER	DESCRIPTION	NOTE
LINEAR DIMENSIONS ARE IN INCHES TOLERANCES: .XXXX = ±.0005 ANGLES= ±2° ? .XXX = ±.010 ? .XX = ±.03 ? .X = ±.1		MATERIAL SPEC. N/A		APPROVALS		DATE	PARTS LIST	
DIM. & TOL. PER ASME Y14.5M DRM PER MIL-DTL-31000; OTHER Amphenol Stds. PER 9-3800		PROCESS SPEC. N/A		DESIGNED BY A. FRAJO		08-30-19	AMPHENOL CORPORATION	
△ LEGENDS: =FLAG NOTE CALL OUT REFERENCE ONLY		THIRD ANGLE PROJECTION		CHECKED BY R. ARCYKIEWICZ			CONTACT R24 SERIES PANEL MOUNT	
				DESIGN MANAGER R. ARCYKIEWICZ			40-40 SQUARE ANGLE SHEET, BY 1208	
				DESIGN ACTIVITY SHEET C&I			L	
				CAGE CODE 77820		DOCUMENT NO. R24-PM()-()-()	REV A	
				SCALE: N/A		REF: NONE	SHEET 1 OF 1	

R24-PM()-()-()

SHEET 1 OF 1

A

C

B

A

FORM 10-1-REV. J

D

C

A

R24-PM()-()-()

SHEET 1 OF 1

A