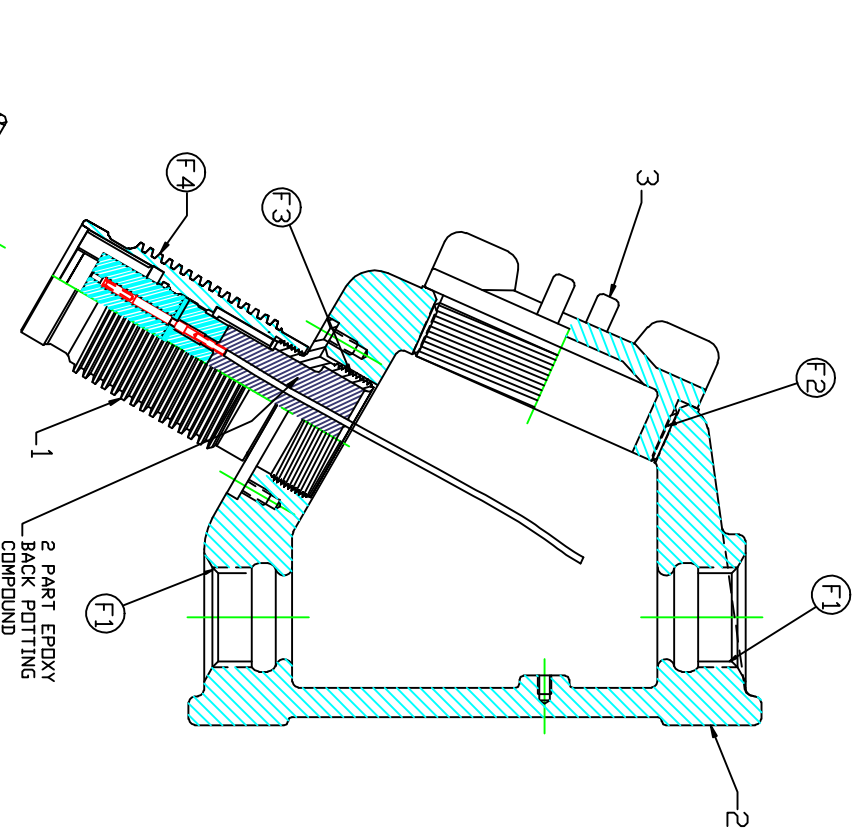


REVISIONS		
LTR.	ECM.	DATE

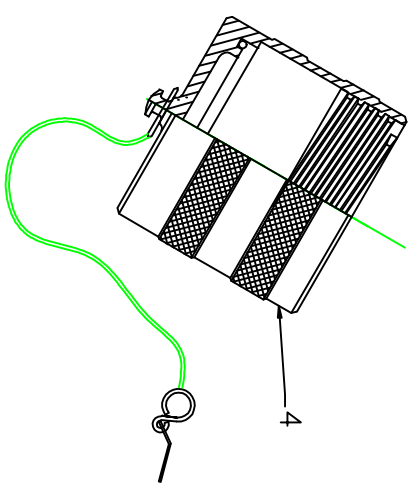
(FX) = FLAME PATH.



- NOTES:
1. THE SCREWS WITHOUT WASHER IN BLIND HOLES SHOULD HAVE AT LEAST 1 FULL THREAD LEFT
 2. SPECIAL FASTENERS SHALL HAVE A THREAD ACCORDING TO ISD 262 WITH TOLERANCE FIT 69/6H
 3. THE HEAD OF THE SCREW SHALL BE IN ACCORDANCE WITH ISD 4014, 4017, 4032 DR 4762
 4. THE HEXAGON SOCKET SET SCREW SHALL BE IN ACCORDANCE WITH ISD 4027, 4028 DR 4029

FLAME PATH	THREAD	MIN. ENGAGED THREAD
F1	1-1/2 NPT THREAD.	6
<2> PLACES	1 1/2 THREADS DEEPER THAN STANDARD NPT.	
F2	4-12 UN-2A THREAD	7
F3	2-16 UNEF-2B THREAD.	8
F4	3-6 ACME-2C THREAD	7

ITEM	PART NUMBER	DESCRIPTION	QTY.
4	HDC-5616	COVER	1
3	HDE-2516-10A	JUNCTION BOX COVER	1
2	HDE-9016-1-1/2-P	JUNCTION BOX, EXPLOSION PROOF	1
1	HDB-1716-3716-SL-LXX	RECEPTACLE, FLANGE MOUNT C/W INSERT	1



UNLESS OTHERWISE SPECIFIED DIMENSIONS ARE IN INCHES TOLERANCES ON		FINISH	
FRAC	DEC	ANG	FINISH
MATERIAL		TITLE	
		ELECTRICAL EQUIPMENT CORPORATION	
		EXPLOSION PROOF JUNCTION BOX, WITH HDE-1716-3716-SL-LXX IIC T6	
FINISH	SIZE	DRAWING NUMBER	
	C	HDB-17-1-16-3716-F-1-1/2-XX	
DRAWN	DATE	XX DENDTE CONDUCTOR LENGTH	
AJR	8/7/08		
SCALE		SHEET	OF
		1	1