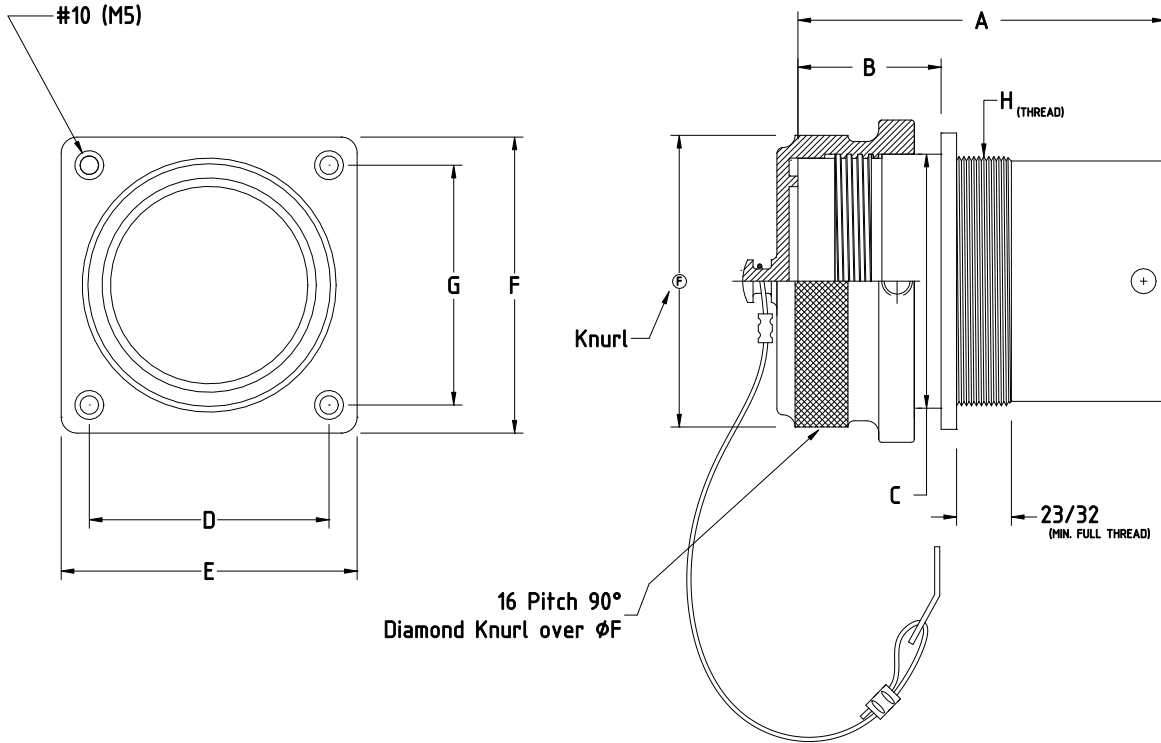


REVISIONS				
LTR	ECO	DESCRIPTION	DATE	APPROVED



PANEL MOUNT RECEPTACLE

SHELL SIZE	DIMENSION							
	A	B	C	D	E	F	G	H
12	4-3/4 (120.7)	1-3/4 (44.5)	1-1/2 (38.1)	1.654 (42)	2-1/4 (57.2)	N/A	N/A	M40
16	4-3/4 (120.7)	1-3/4 (44.5)	2 (50.8)	2.047 (52)	2-5/8 (66.7)	N/A	N/A	M50
20	4-3/4 (120.7)	1-3/4 (44.5)	2-1/2 (63.5)	2.441 (62)	3 (76.2)	N/A	N/A	M63
24	4-3/4 (120.7)	1-3/4 (44.5)	3 (76.2)	2.835 (72)	3-1/2 (88.9)	N/A	N/A	M75
28	4-3/4 (120.7)	1-3/4 (44.5)	3-1/2 (88.9)	3.228 (82)	4 (101.6)	N/A	N/A	M90

Notes: For "C" length inserts, add 1/2" to both dimensions "A" & "B".

UNLESS OTHERWISE SPECIFIED DIMENSIONS ARE IN INCHES TOLERANCES ON				POWER & CONTROL SPECIALISTS, INC. 5634 N. Luna Avenue • Chicago, IL 60646			
FRAC	DEC	ANG	FINISH	TITLE			
± 1/64	± .005	± 1°	✓	PANEL MOUNT RECEPTACLE ASSEMBLY			
MATERIAL				SIZE	DRAWING NUMBER		
//				A	EFP-17-1-XX		
FINISH				SCALE FULL			
//				SHEET OF			
DRAWN		DATE					
P.K.		10-22-01					